

## Product Highlights

### Rugged Construction

IP66 weatherproof housing makes DCS-F4722 ideal for surveillance applications

### Full HD Resolution with Wide Dynamic Range

A high-resolution megapixel sensor provides 1080p resolution while Wide Dynamic Range technology ensures that you capture the details you need

### Complete Day/Night Surveillance Solution

Keep watch over an area 24 hours a day with built-in night vision; the IR LEDs and automatic IR cut filter gives you a clear picture, even in complete darkness



## DCS-F4722

# 2 MP Full HD Day & Night Varifocal Outdoor Bullet Network Camera

## Features

### Exceptional Video Quality

- 1 /2.9" 2 Megapixel Progressive Scan CMOS sensor
- Maximum resolution of 1920x1080
- Wide Dynamic Range image enhancement
- H.264 MJPEG codec support for streaming and recording
- Motion detection
- Privacy mask
- 3D filtering reduces noise in low-light environments

### Outdoor Placement

- Built-in IR LED illuminator with a up to 25m range for use in dark areas
- Range of mounting options for flexible placement
- Rugged IP66 weatherproof housing

### Network

- 10/100 Fast Ethernet port
- Power over Ethernet (PoE) ensures easy and flexible integration into your network

D-Link DCS-F4722 Vigilance Full HD Outdoor Varifocal Bullet Network Camera is a high definition professional surveillance and security solution suitable for small, medium, and large enterprises. The camera uses a high-sensitivity 1 /2.9" 2 megapixel progressive scan CMOS sensor with onboard WDR image enhancement to deliver truly superior quality video in all conditions. The all-in-one rugged design makes this camera extremely reliable and ideal for deployment in surveillance applications.

### Multiple Video Streaming & Recording

DCS-F4722 supports simultaneous streaming of H.264 and MJPEG video to provide both high quality and bandwidth-efficient compression formats. First & Second video streams are user configurable for high quality and optimized bandwidth recording while Third predefined low bandwidth stream is suitable for remote monitoring.

### Continuous Monitoring

DCS-F4722 WDR image enhancement gives you improved image quality in environments with uneven or difficult lighting, so you can identify subjects that are backlit or in brightly lit areas. In low-light situations, the IR cut filter automatically slides out of the way to use all available light. The DCS-F4722 also has built-in IR LED illuminators with a up to 25 meter range, allowing the camera to keep watch even in complete darkness. These features work together to give you a reliable surveillance camera capable of monitoring an area 24 hours a day.

## Image Enhancement

DCS-F4722 WDR image enhancement gives you improved image quality in environments with varied light conditions, so you can identify subjects that are backlit or in brightly lit areas.

The HLC feature allows camera to provide clear images during night vision by adjusting the brightness from strong light sources like head lights & spot lights.

2D and 3D Digital Noise Reduction technology provides clearer images during low light condition by processing the signal and reducing the noise.

## Corridor Mode:

DCS-F4722 supports Corridor Mode. After enabling this mode, aspect ratio will be changed to 9:16. This feature is very helpful to deploy camera for monitoring narrow areas like tunnel, Passages or Corridors.

## Region of Interest (ROI):

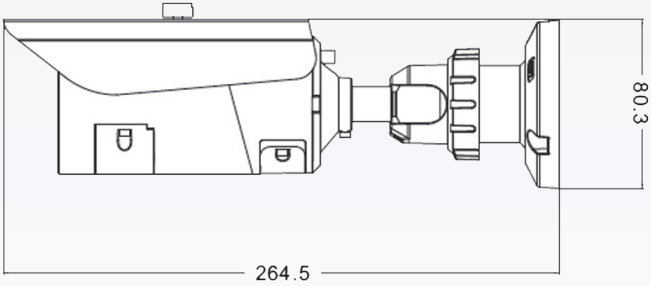

ROI allows you to configure the area of interest to be captured and recorded with higher resolution and rest of the area will be captured with lower resolution. This will help to optimize the required network bandwidth and save storage.

## Technical Specifications

### Camera Specification

Camera Hardware Profile	• 1 /2.9" 2 MP Progressive Scan CMOS	• Focal Length: Varifocal lens 2.8-12mm
	• Up to 25 meter IR illumination distance	• Aperture : F2.2
	• Built-in Infrared-Cut Removable (ICR) Filter module, Smart IR support	• Angle of view
	• Minimum illumination: Color 0.05Lux; IR ON 0 Lux	• (H) 90° ~ 35°
	• Shutter Speed: 1/5-1/20000	• (V) 48° ~ 20°
	• Minimum object distance : 0.3m	
	• Digital zoom : 10x	
Camera Housing	• IP66 compliant weatherproof housing	
Image Features	• Configurable image size, quality, frame rate, VBR/CBR (500kbps ~ 12 Mbps)	• Configurable privacy mask zones : Total zones 4
	• Time stamp and text overlays	• Configurable Exposure, Brightness, Saturation, Contrast, Sharpness, White Balance, Rotate mode, Corridor mode
	• Customized text overlay	
	• Digital Noise reduction with 2D and 3D technology	
• No. of zones configurable for ROI : 8	• Image Enhancement with WDR, HLC, BLC, Defog	
Video Compression	• Simultaneous H.264 MJPEG	• JPEG for still images
	• H.264 multicast streaming	
Video Resolution	• Main Stream: 1920x1080/1280x720	
	• Second Stream: D1 to QVGA	
Frame Rate	• Selectable upto 30 FPS	
External Device Interfaces	<ul style="list-style-type: none"> <li>• 10/100 BASE-TX Ethernet port with PoE</li> <li>• BNC Output</li> <li>• Micro SD/ SDHC Slot, Max 64GB</li> </ul>	
Network		
Network Protocols	• IPv6	• SMTP client
	• IPv4	• HTTP/HTTPS
	• TCP/IP	• PPPoE
	• UDP	• UPnP
	• ICMP	• RTP/RTSP
	• DHCP client	• Multicast
	• NTP client	• ONVIF compliant
	• DNS client	• DDNS client
Security	• Administrator and user group protection	• HTTP and RTSP authentication
	• Remote client access control	• HTTPS encryption for web access hardware watchdog

## 2 MP Full HD Day &amp; Night Varifocal Outdoor Bullet Network Camera

System Management	
System Requirements for Web Interface	• IE 11, Chrome, Firefox
Event Management	• Motion detection, Video Loss
	• Alerts to SMTP client
Remote Management	• Event notification and uploading of snapshots via e-mail
	• Multiple event notifications only on mails
OS and Mobile Support	• Configuration interface accessible via web browser
DCMS System Requirement	• Take snapshots
	• Windows 7/8/XP/Vista/2000 and higher
DCMS Software Function	• Android
	• Operating System: 32 Bits - MS Windows XP pro SP3/Visa SPI/Win 7 SPI/ Win10 64 bits - Win 7 SPI/Win Server 2008 R2
General	
Weight	• 750g
Power	• DC 12V & PoE
Power Consumption	• 5W (IR LED OFF) ; 7W (IR LED ON)
Temperature	• Operating: -40°C ~ 60°C
Humidity	• Operating: 0% ~ 90% RH
Certification	• CE & FCC
Dimension	• 80.3 × 264.5mm
	
Order Information	
Part Number	Description
DCS-F4722	2 MP Full HD Day & Night Varifocal Outdoor Bullet Network Camera
Optional Accessory	
Part Number	Description
DCS-FCA633	 Back box